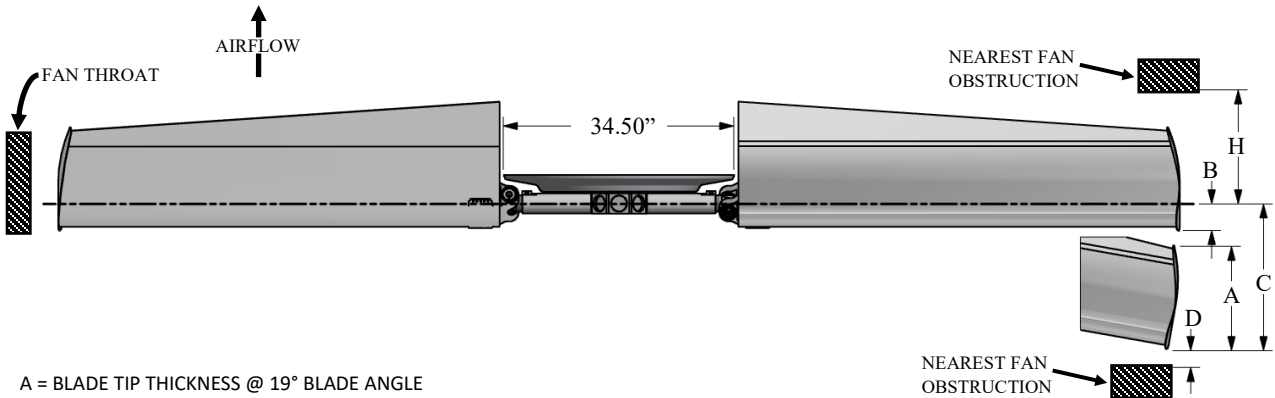
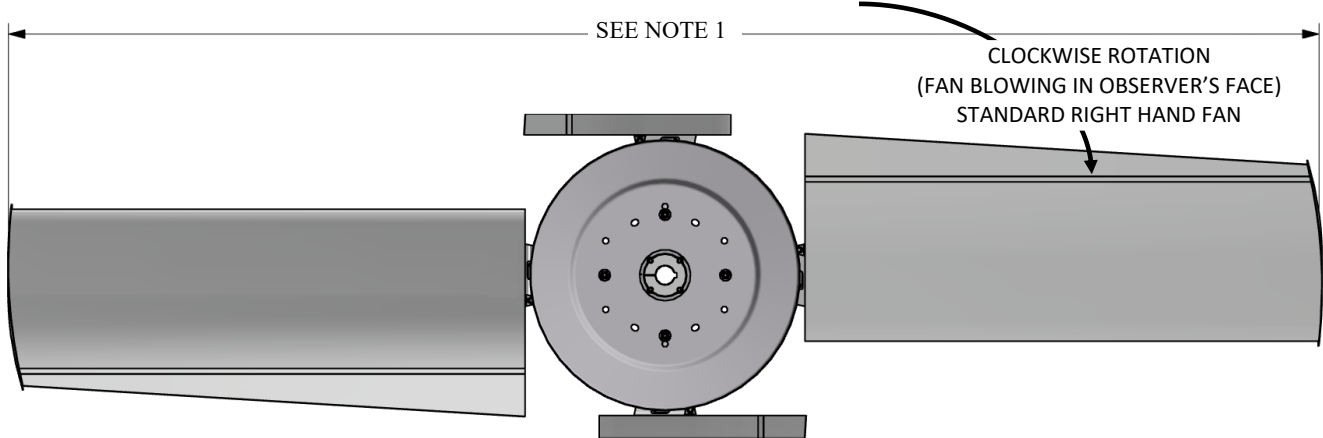


CLASS 10000 HD SERIES 36 XC

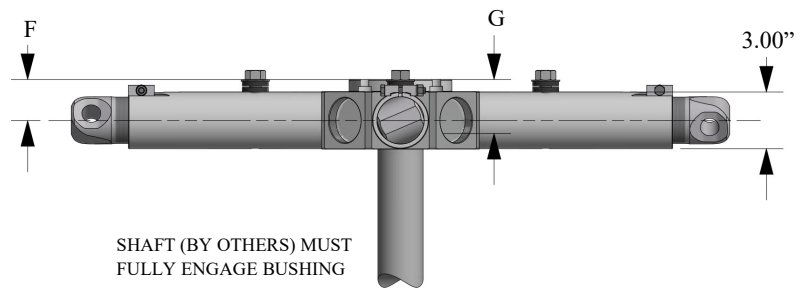
RH ROTATION

Moore
FANS



- A = BLADE TIP THICKNESS @ 19° BLADE ANGLE
- B = RUNNING POSITION OF BLADES
- C = MAXIMUM DROOP POSITION OF BLADES
- D = MINIMUM OBSTACLE CLEARANCE AT INLET
- F = CENTERLINE OF FAN TO BASE OF BUSHING
- G = BUSHING OVERALL HEIGHT
- H = MINIMUM OBSTACLE CLEARANCE AT OUTLET
- I = NOMINAL MECHANICAL HUB DIAMETER
- L = MAXIMUM BUSHING TORQUE FT. LBS.
- # = WITH S.A.E. STANDARD SQUARE KEYWAY
- * = WITH SHALLOW KEYWAY IN BUSHING
- o = MAX METRIC BORE WITH STANDARD KEYWAY

BUSHING AND/OR AIR SEAL
CAN BE INSTALLED ON INLET
OR OUTLET SIDE OF FAN



SHAFT (BY OTHERS) MUST
FULLY ENGAGE BUSHING

**WITH FAN OPERATING AT
12000 FT/MINUTE BLADE TIP SPEED**

DIA	PERCENT BLADE LOADING		C	D	H	
	100%	75%				
	A	B				
8'	14.9"	10.9"	10.4"	11.7"	4.0"	16"
9'	14.2"	11.3"	10.6"	12.5"	4.0"	16"
10'	13.5"	11.8"	11.0"	13.5"	4.0"	16"
11'	12.9"	12.5"	11.4"	14.7"	4.0"	16"
12'	12.2"	13.3"	11.9"	16.1"	4.0"	16"
13'	11.5"	14.2"	12.5"	17.6"	4.0"	16"
14'	10.8"	15.2"	13.0"	19.1"	4.0"	16"

NOTE 1:
MAXIMUM FAN DIAMETER EQUALS NOMINAL FAN DIAMETER.
ADJUSTMENT OF ±1.5 INCHES* POSSIBLE AT INSTALLATION
*BLADES WITH ATEX TIPS HAVE ADJUSTMENT OF -1.0" & +2.0"
ON DIAMETER

MAX BLADES	BUSHING TYPE	MAX # BORE	MAX * BORE	MAX o BORE	F	G	L
8	U	2.750"	2.938"	75	2.0"	2.7"	4000
8	W	3.750"	4.000"	100	2.2"	2.8"	7300